



## **Spare parts list**

**(14234500) K 3.98MD-4F \*CA**

**(14234510) K 3.98M-PLUS \*MX**

**(16366220) K 3.98M PLUS-WB**

# CONTENT LIST

1.0 HOUSING

2.0 PUMP SET

2.1 HOUSING

2.2 THRUST GUIDANCE

3.0 MOTOR

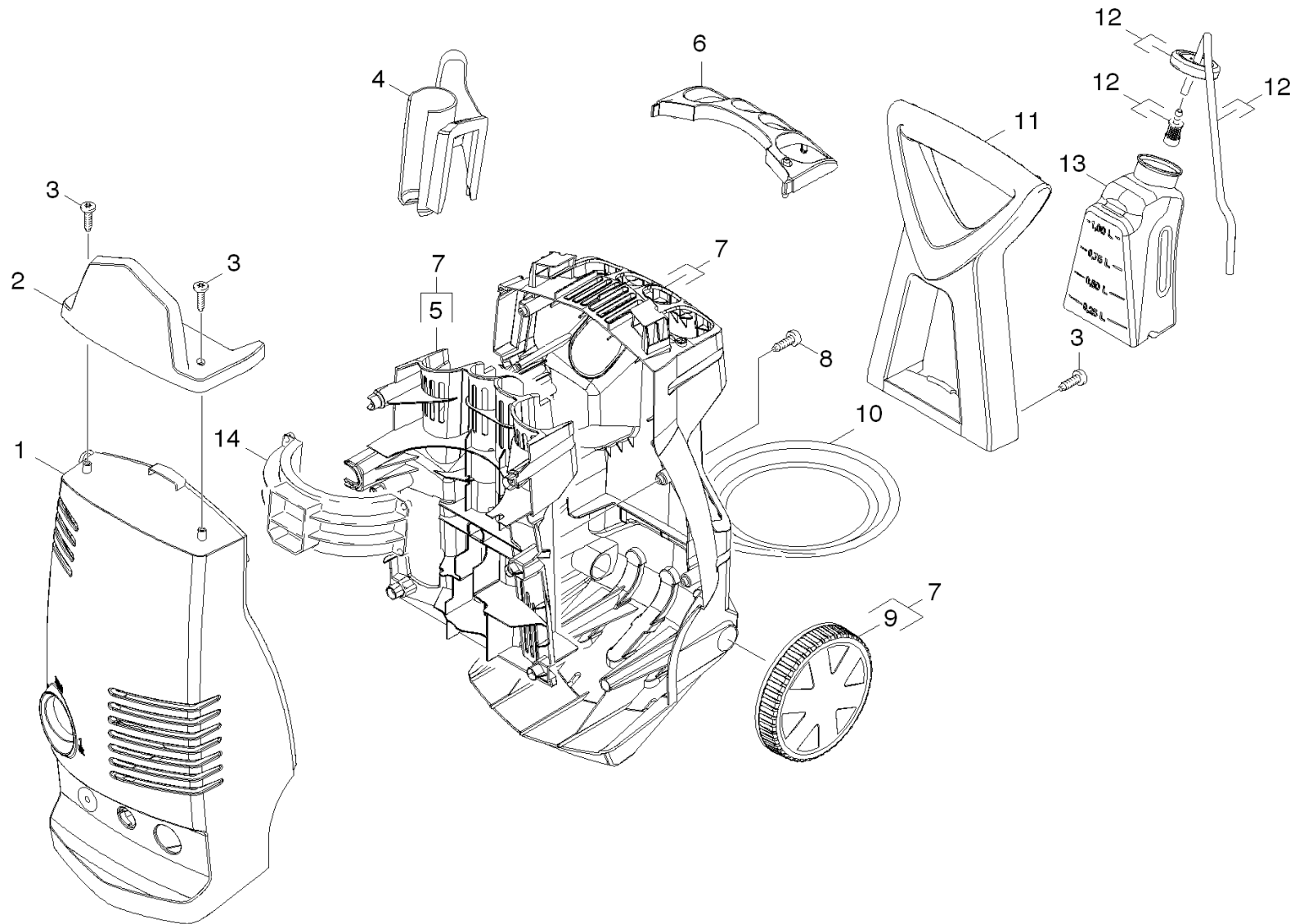
4.0 ACCESSORIES

4.1 TRIGGER GUN

4.2 JET PIPE

5.0 ELECTRIC BOX

# 1.0 HOUSING



## 1.0 HOUSING

POS	DESCRIPTION ADDITIONAL INFORMATIONS	PART NO	QTY.	FROM SER.NR.	UP TO SER. NR.
1	COVER	90370370	1		
2	Covering cap handhold neutrally K3./4.98	90370150	1		
3	Screw 4x22	90862030	4		
4	ZUBEHOERHALTER NEU	90370380	1		
5	Middel Housing	90369650	1		
6	COVER FAN	90369680	1		
7	CHASSIS KPL.K4.98MD	90119040	1		
8	Srew 4x22	90861730	10		
9	Radsatz SET OF 2 PIECES	90012600	1		
11	HANDLE	90369660	1		
12	FILTER KPL.	90117110	1		
13	RM-TANK K3./4.98MD	90369690	1		
14	MOTORHOLDER	90367230	1		

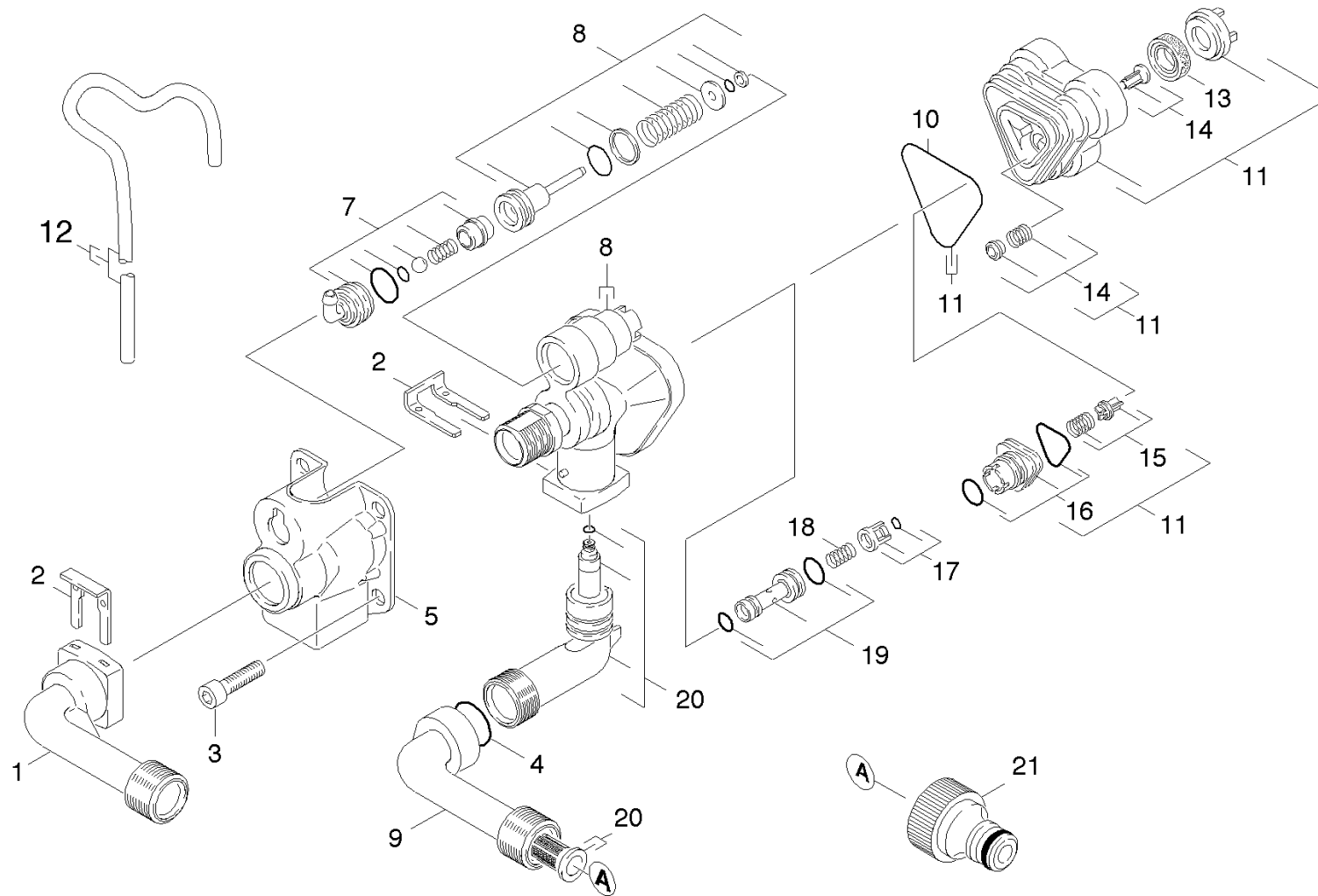
## 2.0 PUMP SET

2.1 HOUSING

2.2 THRUST GUIDANCE



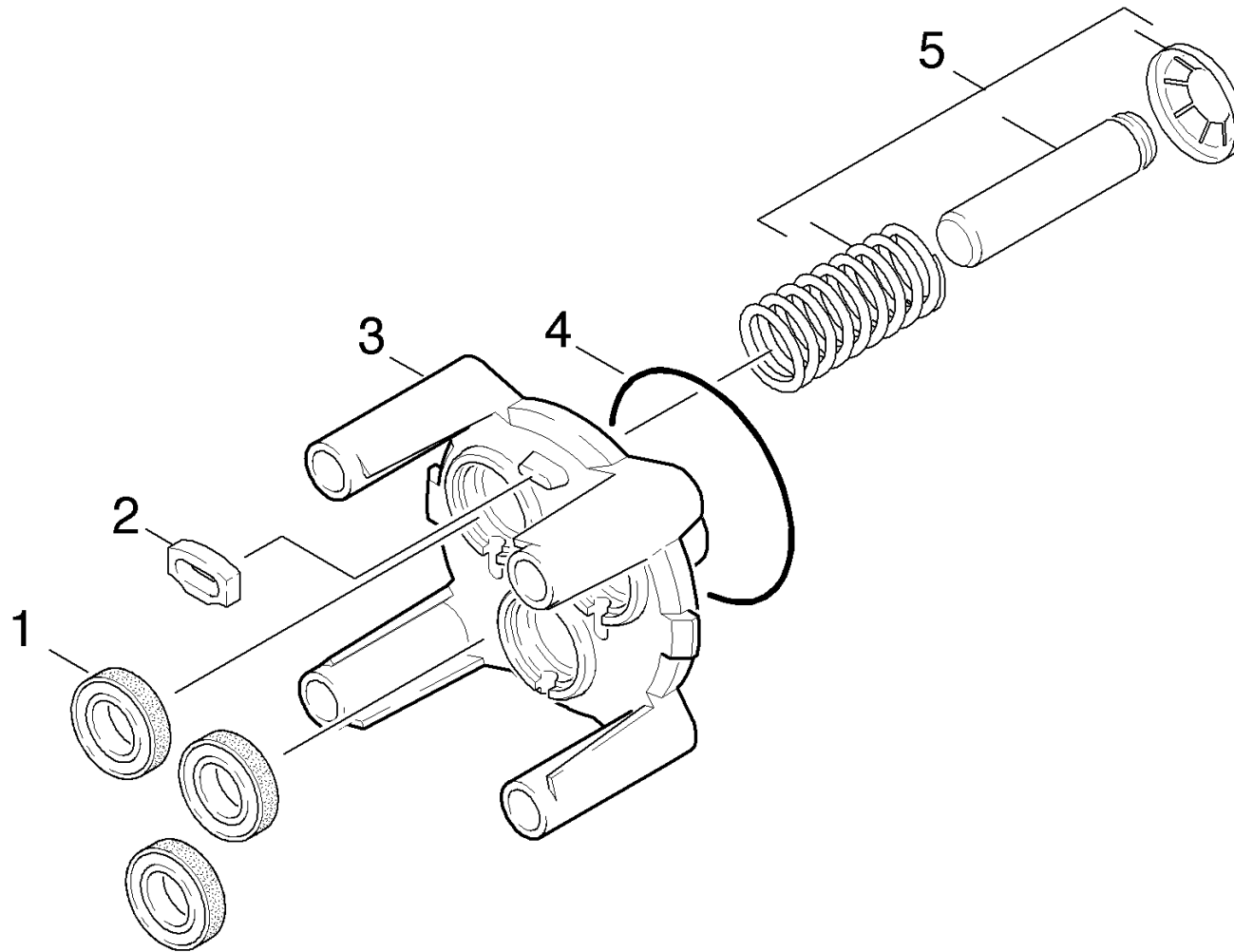
## 2.1 HOUSING



## 2.1 HOUSING

POS	DESCRIPTION ADDITIONAL INFORMATIONS	PART NO	QTY.	FROM SER.NR.	UP TO SER. NR.
1	Connection delivery side	90367030	1		
2	CLAMP	90391480	2		
3	SCREW M8x55 CLASSE 8.8	90862000	4		
4	O-RING	90814210	1		
5	Cover	90391660	1		
7	RM ANSAUGUNG ALDI2003	90117530	1		
8	Spare parts set control head	90012670	1		
9	Connection suction side <a href="#">1.423-450.0 / 1.636-622.0</a>	90013620	1		
9	Connection suction side black <a href="#">1.423-451.0</a>	90368010	1		
10	o-ring	90814180	1		
10	Form seal	90814220	1		
11	ET-Set Zylinderkopf	90012150	1		
12	Hose DN 5 <b>TO ORDER AS CUT GOODS</b>	63882160	1		
13	Water sealing d.12x20x5	63628750	3		
14	MOULDED PART <b>SET CONSISTS OF 3X MACHINED PART COMPL.</b>	90011100	1		
15	VENTILSET <b>SET CONSISTSTS OF 3X VALVE</b>	90011490	1		
16	JOINING PIECE	90011060	1		
17	CAGE	90011070	1		
18	SPRING	90470260	1		
19	INJECTOR	90011080	1		
20	ET-SET	90012660	1		
21	Connection 3/4" <a href="#">1.423-541.0</a>	63898700	1		

## 2.2 THRUST GUIDANCE

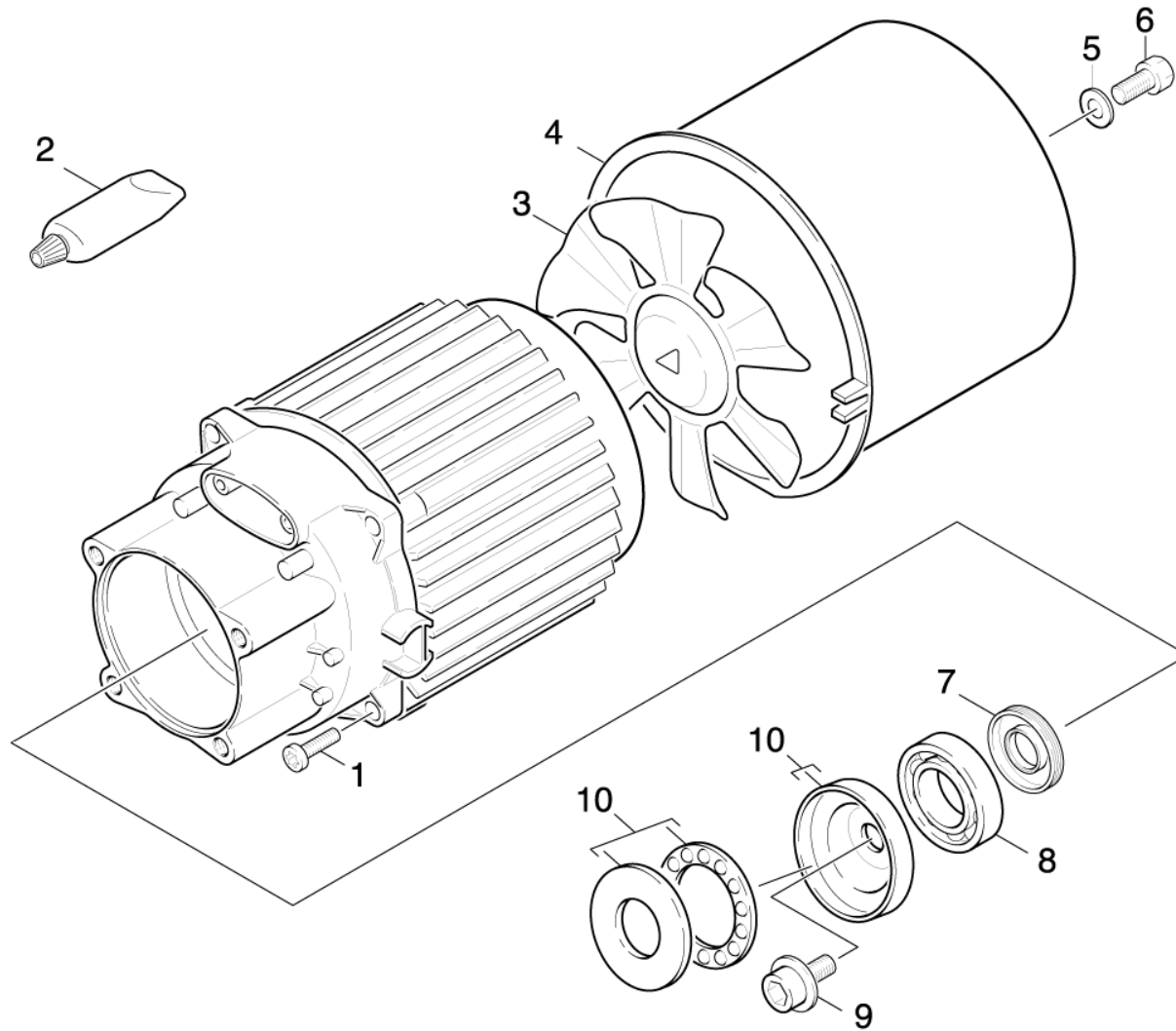




## 2.2 THRUST GUIDANCE

POS	DESCRIPTION	PART NO	QTY.	FROM SER.NR.	UP TO SER. NR.
	ADDITIONAL INFORMATIONS				
1	SEAL	69640260	3		
2	SPACER	90480710	1		
3	PISTON GUIDE K130	90420350	1		
4	O-Ring seal 60x2,5	63629020	1		
5	Piston completely	90013200	3		
	SET CONSISTS OF 3X PISTON COMPL.				

### 3.0 MOTOR



## 3.0 MOTOR

POS	DESCRIPTION ADDITIONAL INFORMATIONS	PART NO	QTY.	FROM SER.NR.	UP TO SER. NR.
1	VITE AUTOFILETT. M5X20 TRILOBATA	90861850	4		
2	GREASE (50ML)	69640920	1		
3	MOTOR FAN	90391880	1		
4	HOUSING	69640900	1		
5	Serrated lock washer A8,4 -FSt-A3E DIN6	73122330	1		
6	Hexagonal head screw M8x16 -8.8-A2E ISO	73043950	1		
7	ROTARY SHAFT SEAL <a href="#">/ 1.423-451.0</a>	63670950	1		
7	Rotary shaft seal 17x35x5 <a href="#">/ 1.423-450.0 / 1.636-622.0</a>	90780070	1		
8	Ball bearing 6303-St DIN 625 <a href="#">/ 1.423-450.0 / 1.636-622.0</a>	74010100	1		
8	BALL BEARING 6204 <a href="#">/ 1.423-451.0</a>	74011220	1		
9	VITE PIATTELLO <a href="#">/ 1.423-451.0</a>	90363880	1		
9	Wobble plate screw M8x16 <a href="#">1.423-450.0 / 1.636-622.0</a>	90861690	1		
10	Swash plate <a href="#">1.636-622.0</a>	90013020	1		
10	SWASH PLATE <a href="#">/ 1.423-451.0</a>	90390990	1		

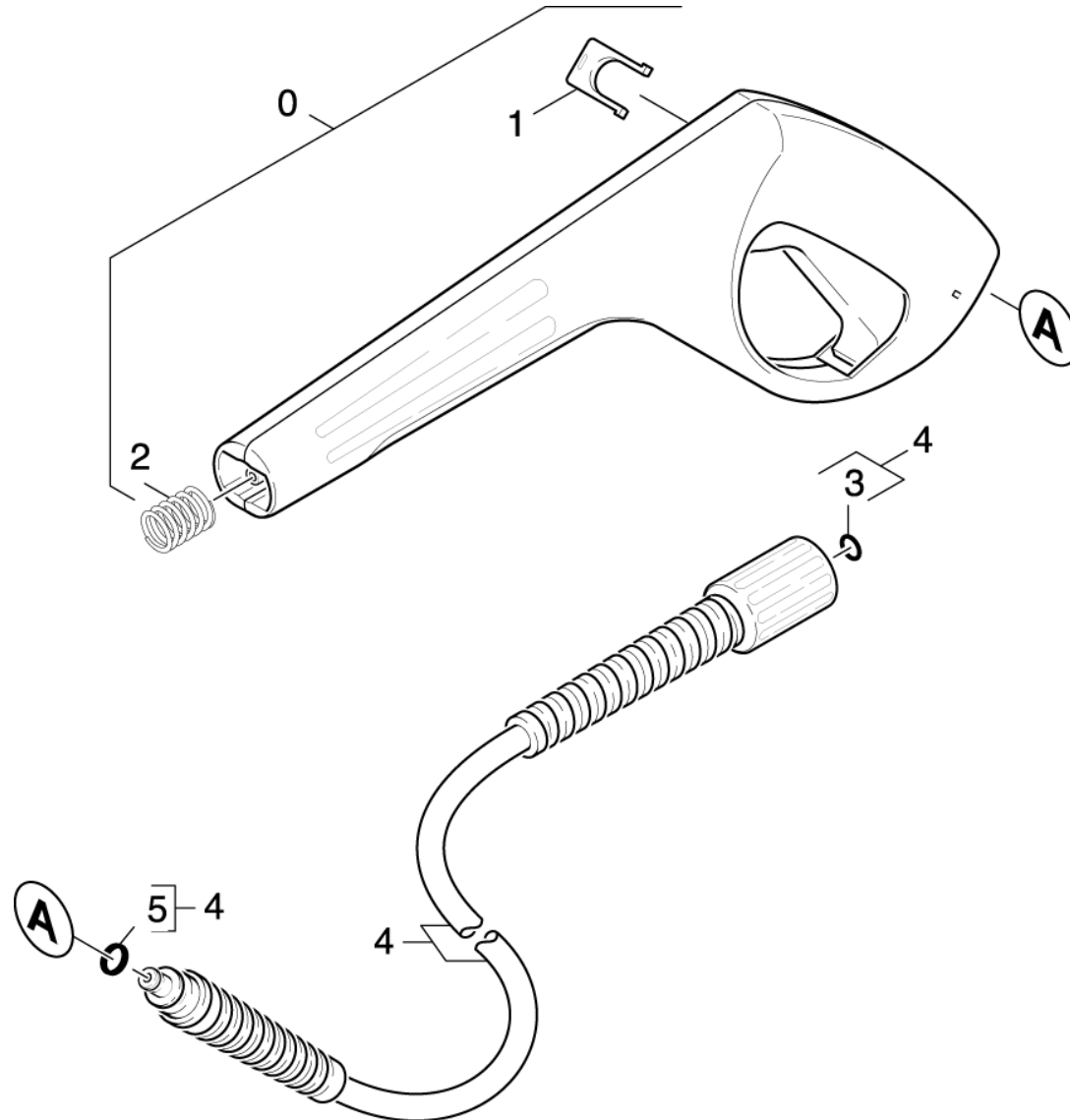
## 4.0 ACCESSORIES

4.1 TRIGGER GUN

4.2 JET PIPE



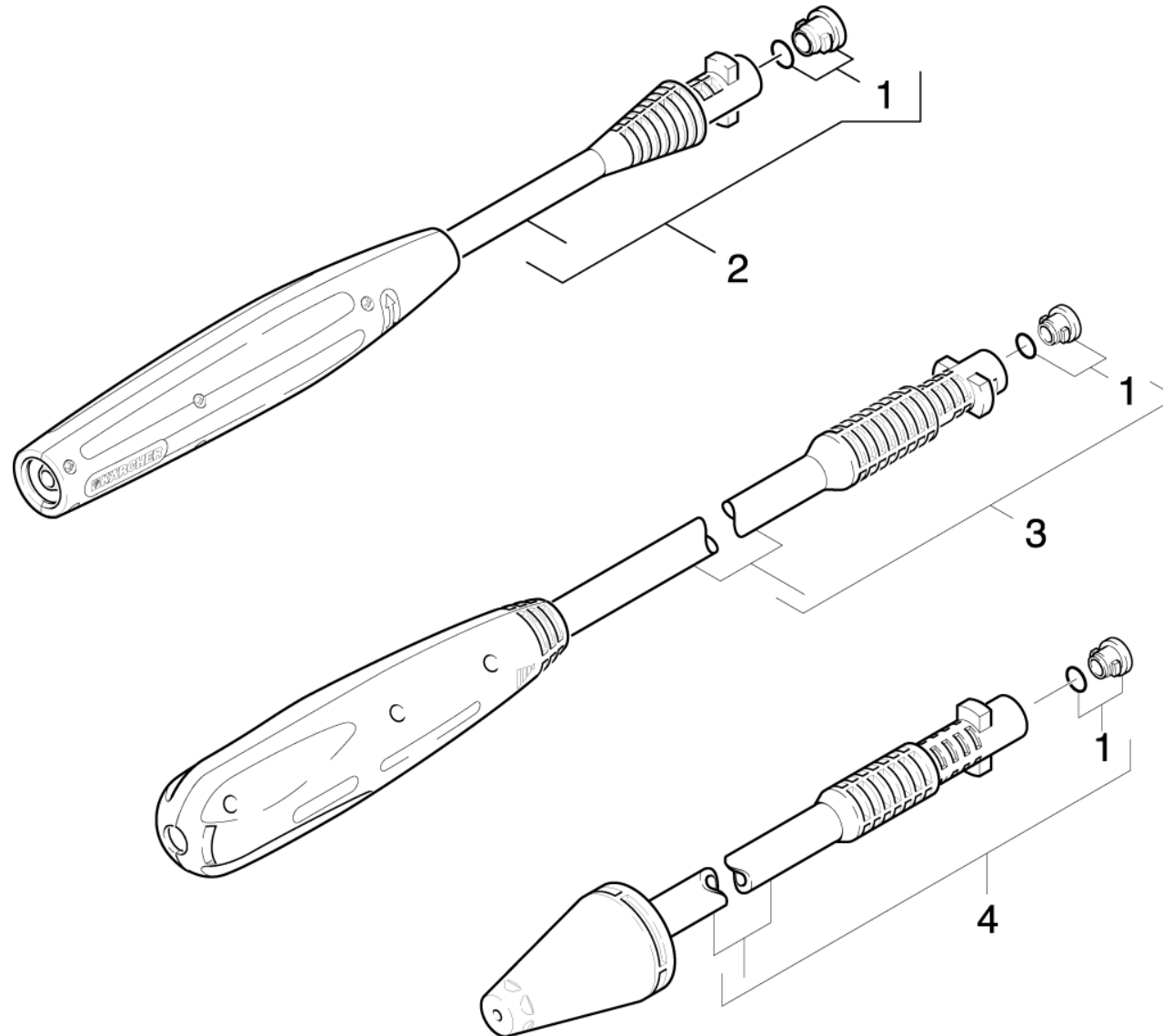
## 4.1 TRIGGER GUN



## 4.1 TRIGGER GUN

POS	DESCRIPTION <a href="#">ADDITIONAL INFORMATION</a>	PART NO	QTY.	FROM SER.NR.	UP TO SER. NR.
0	PISTOL	47753890	1		
1	CLAMP	50371370	1		
2	Pressure spring	53324640	1		
3	Spare part set O-Ring seal 5x-Kaercher	28802960	1		
4	HOSE	63904990	1		
5	GASKET	63631980	1		

## 4.2 JET PIPE

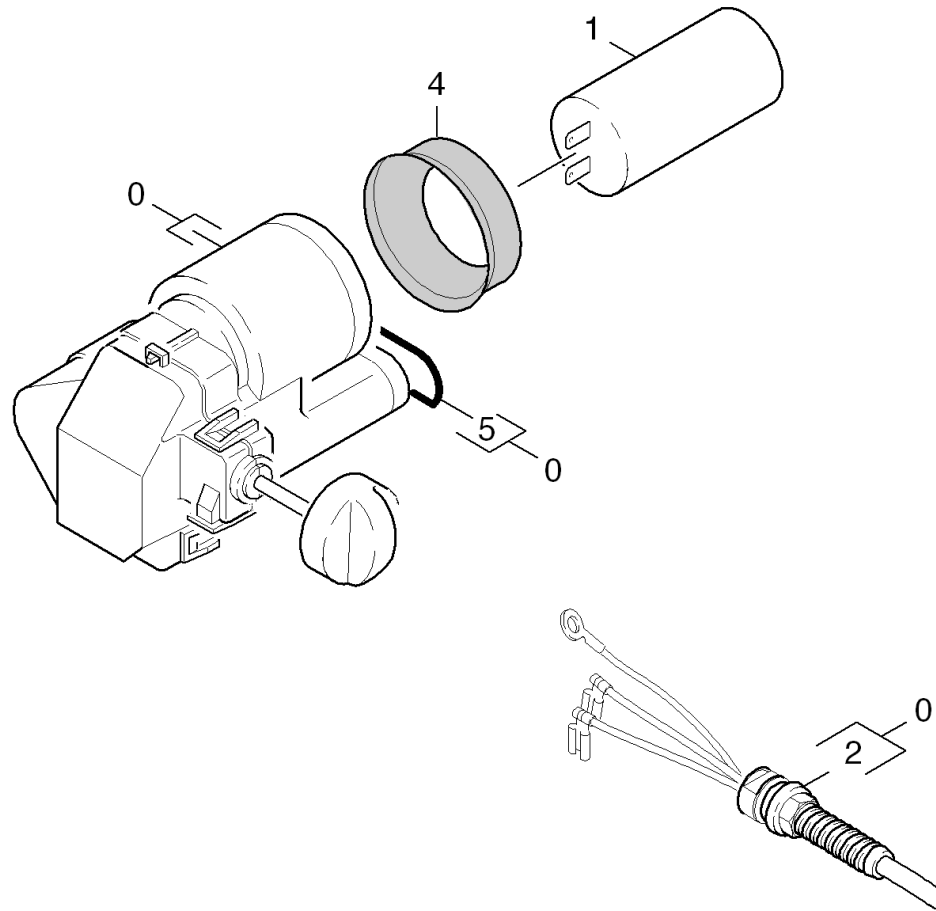


## 4.2 JET PIPE

POS	DESCRIPTION <a href="#">ADDITIONAL INFORMATIONS</a>	PART NO	QTY.	FROM SER.NR.	UP TO SER. NR.
1	GASKET	26407290	1		
2	VPS K3 0287 <a href="#">1.423-451.0</a>	47605340	1		
2	VPS K3 0225 K <a href="#">1.636-622.0</a>	47605850	1		
3	Quadruple nozzle 030 Premium Line	47604800	1		
4	Rotor nozzle /033 ST	47639860	1		
4	ROTARY NOZZLE <a href="#">1.636-622.0</a>	47639910	1		



## 5.0 ELECTRIC BOX



## 5.0 ELECTRIC BOX

POS	DESCRIPTION ADDITIONAL INFORMATIONS	PART NO	QTY.	FROM SER.NR.	UP TO SER. NR.
0	Electric box / 1.423-451.0	90014450	1		
0	Electric box / 1.423-450.0	90014480	1		
0	Electric box 1.636-622.0	90015750	1		
1	Capacitor 60 $\mu$ F	66611960	1		
2	Cable with plug 1.636-622.0	90841490	1		
2	Cable with plug / 1.423-450.0	90841500	1		
2	Cable / 1.423-451.0	90841510	1		
4	GASKET	90804210	1		
5	O-RING	90814170	1		